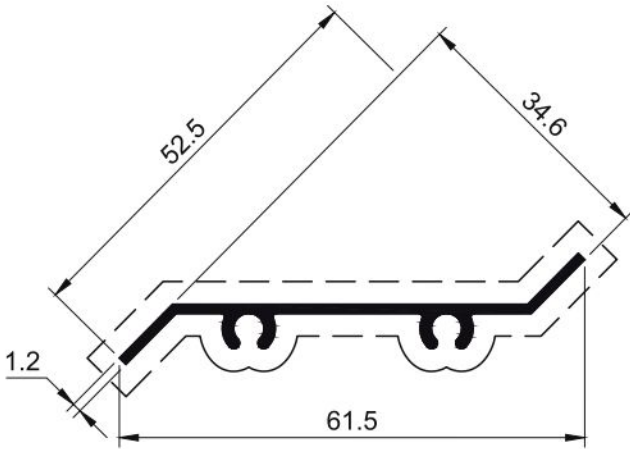


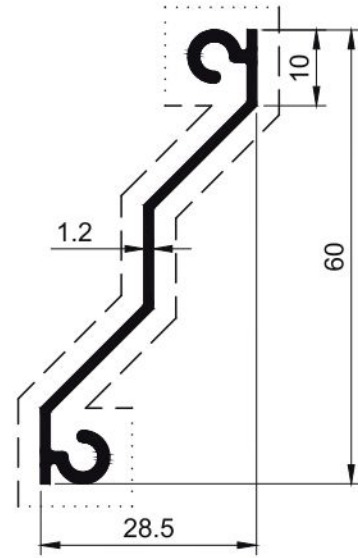
SECTION NO. - ALU-477
EST. WEIGHT - 2.852 KG./M.

----- : Significant Surface
..... : Insignificant Surface

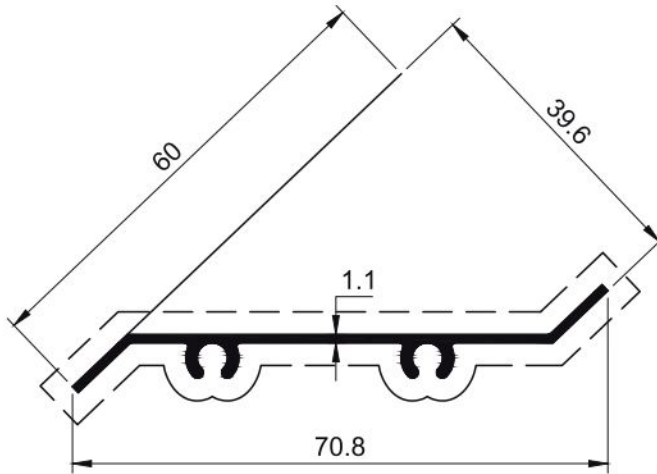
Louvers



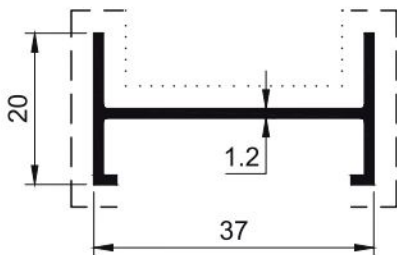
SECTION NO. - DG-01
EST. WEIGHT - 0.298 KG./M.



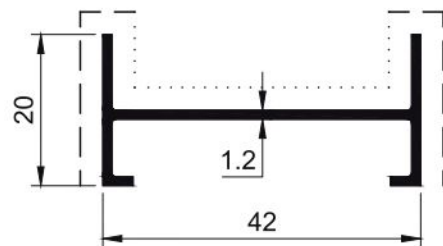
SECTION NO. - DG-03
EST. WEIGHT - 0.353 KG./M.



SECTION NO. - DG-02
EST. WEIGHT - 0.307 KG./M.

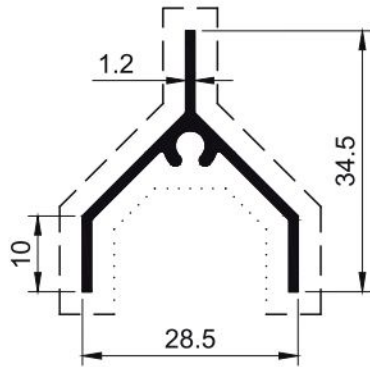


SECTION NO. - DG-101
EST. WEIGHT - 0.254 KG./M.

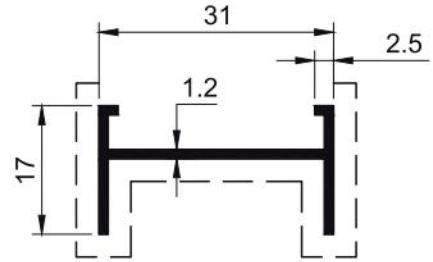


SECTION NO. - DG-102
EST. WEIGHT - 0.277 KG./M.

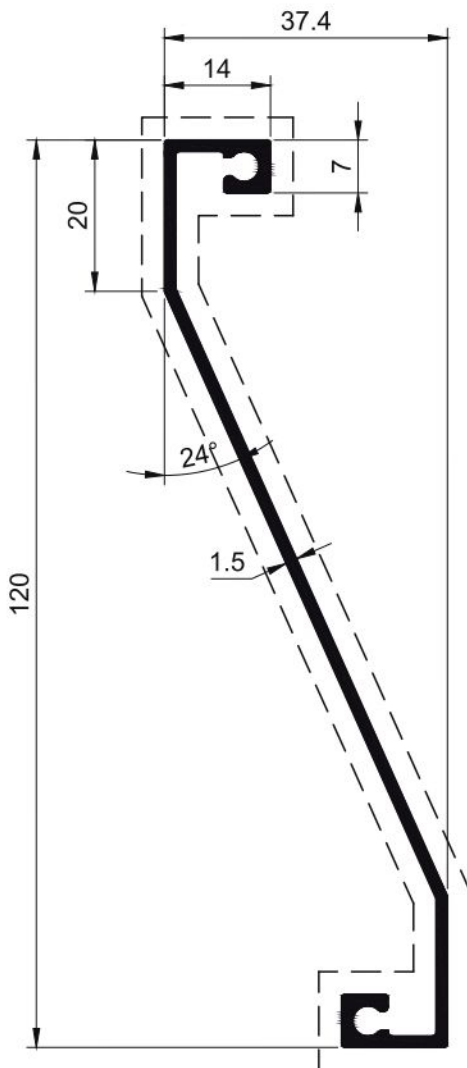
----- : Significant Surface
..... : Insignificant Surface



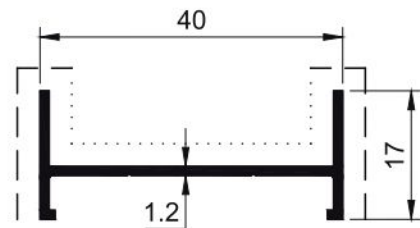
SECTION NO. - DG-04
EST. WEIGHT - 0.257 KG./M.



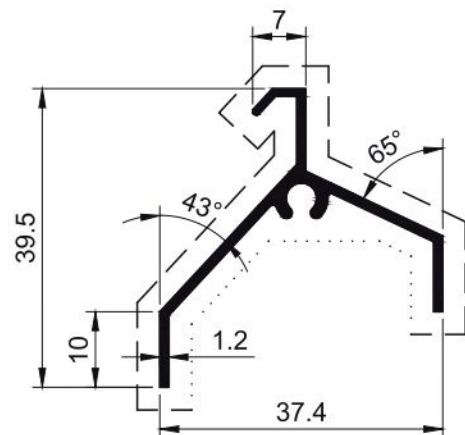
SECTION NO. - DG-103
EST. WEIGHT - 0.212 KG./M.



SECTION NO. - DG-05
EST. WEIGHT - 0.722 KG./M.



SECTION NO. - DG-104
EST. WEIGHT - 0.238 KG./M.

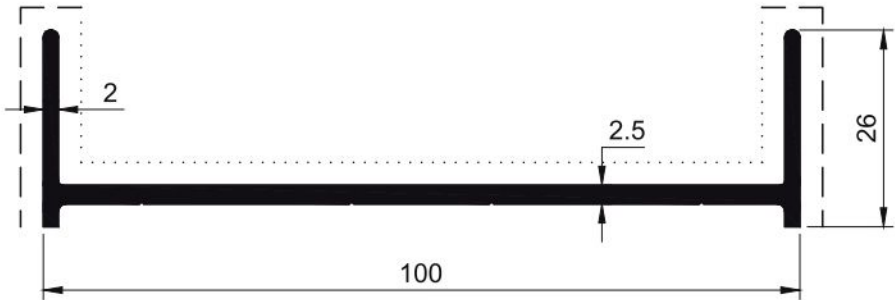


SECTION NO. - DG-06
EST. WEIGHT - 0.302 KG./M.

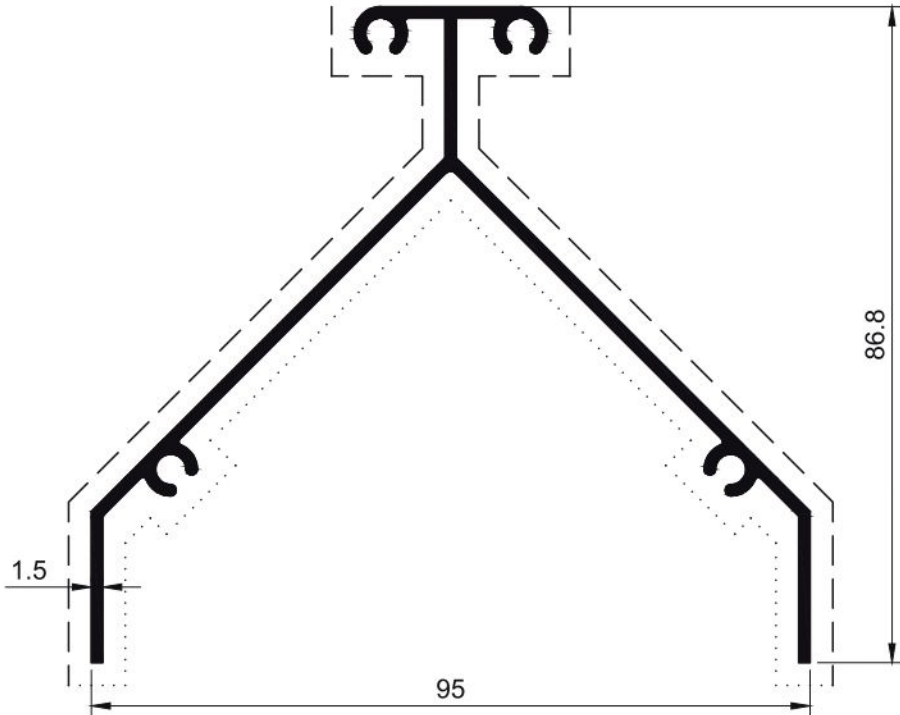
----- : Significant Surface
..... : Insignificant Surface

Louvers

Industrial Louvers



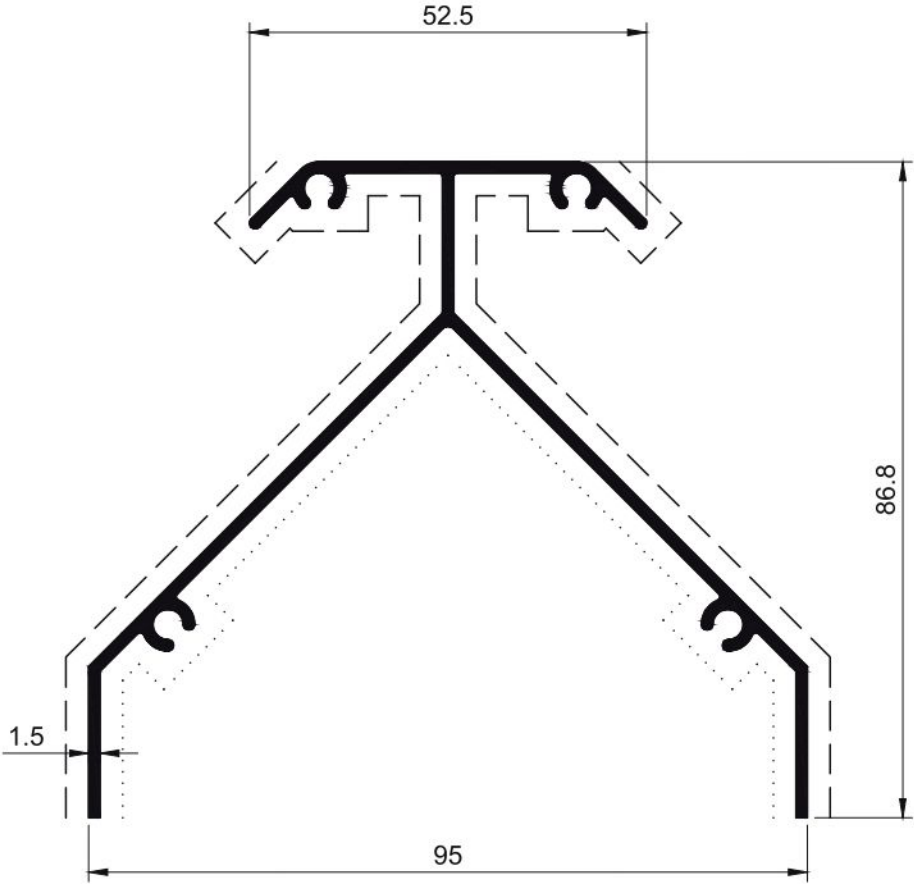
SECTION NO. - DG-105
EST. WEIGHT - 0.927 KG./M.



SECTION NO. - DG-08
EST. WEIGHT - 1.025 KG./M.

----- : Significant Surface
..... : Insignificant Surface

Industrial Louvers



SECTION NO. - DG-09
EST. WEIGHT - 1.152 KG./M.

----- : Significant Surface
..... : Insignificant Surface